



TEMPCO PRODUCTS CO.
ROBINSON, ILLINOIS 62454

123

Congratulations on making a wise investment for your home! You will appreciate the added comfort and energy-efficiency of the Tempco Window.

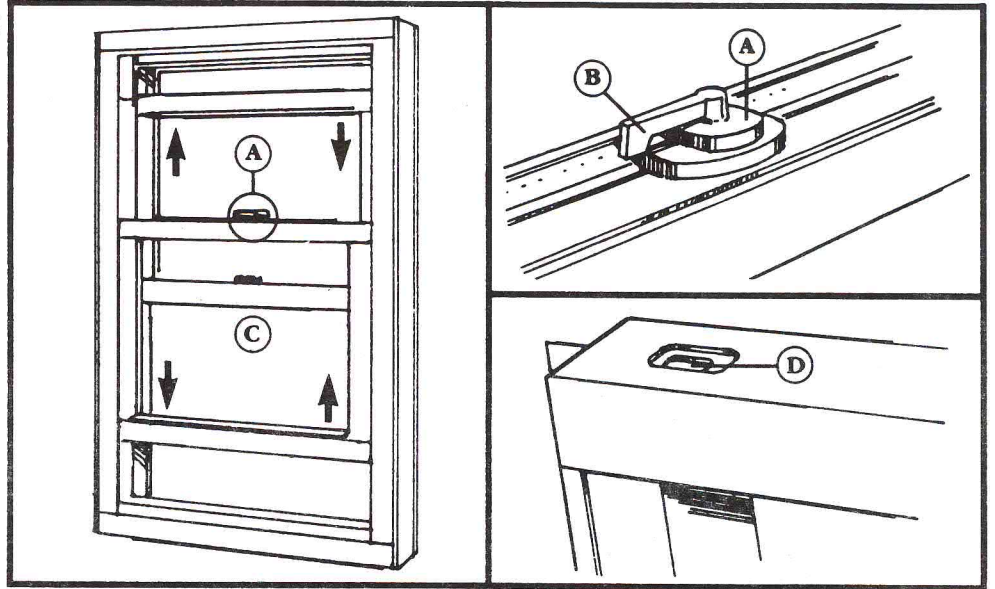
Please take a moment to review the following information. The care and maintenance of your new window is as easy as one-two-three!

Double-Hung

1

Operation: Double-Hung Window

To open, simply disengage the lock (A) by pushing on the thumb-lever (B). When disengaged, both sashes (C) will be free to move up or down. The thumb button (D) is used to tilt the sash in for cleaning. (See Step 3.)



2

Maintenance: All Styles

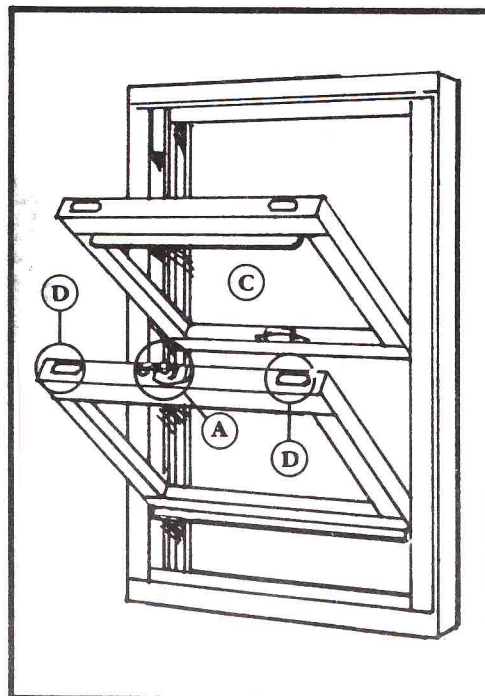
All Windows are Virtually Maintenance-Free

- A) Glass can be cleaned with household glass cleaners in the normal fashion. Vinyl components can be easily cleaned with a non-abrasive household cleaner or soap and water.
- B) Painting is not required. The color of the Tempco Window is solid through all window components.
- C) Lubrication is not required. All moving parts are self lubricating. Rollers are made of metal for long lasting, trouble-free performance.

3

Cleaning: Double-Hung Window

- A) To release sashes for tilt-in: Disengage lock (A)
- B) Raise sash to a minimum of six inches.
- C) With two hands, push tilt-latch buttons (D) toward the center of the window and pull the sash toward you. (DO NOT LET GO OF THE SASH!) The sash is now free to tilt in for cleaning. It will pivot at the bottom and tilt from the top. The same process applies to both sashes.



When cleaning is complete, center the sash in the frame and simply rotate the sash back to its original position. With slight pressure, the sash will snap back in place.

Make sure tilt latches are engaged securely in the jams by gently pulling the sash toward you.



NOTE:
NEVER USE
EXCESSIVE
FORCE WHEN
OPERATING
ANY PART OF
THE TEMPCO
VINYL WINDOW.



TEMPCO PRODUCTS CO
ROBINSON, ILLINOIS 62454



Congratulations on making a wise investment for your home! You will appreciate the added comfort and energy-efficiency of the Tempco Window.

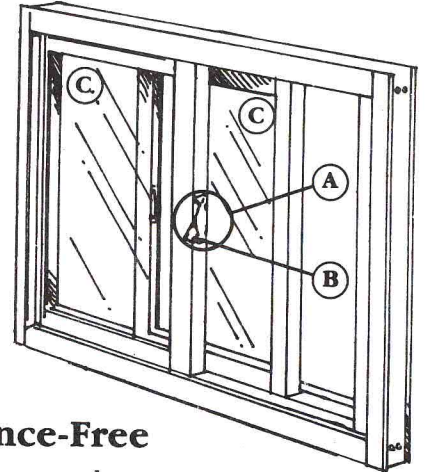
Please take a moment to review the following information. The care and maintenance of your new window is as easy as one-two-three!

Slider

1

Operation: Slider

To open, simply disengage the lock (A) by pushing on the thumb-lever (B)



2

Maintenance: All Styles

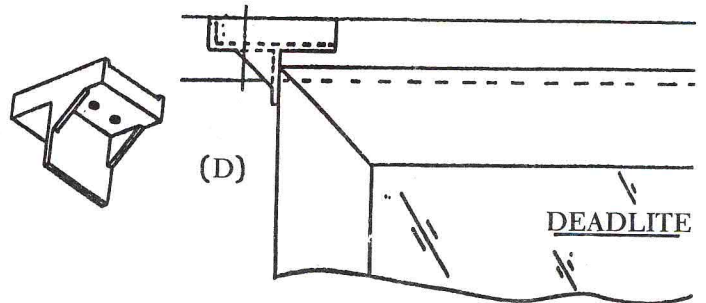
All Windows are Virtually Maintenance-Free

- A) Glass can be cleaned with household glass cleaners in the normal fashion. Vinyl components can be easily cleaned with a non-abrasive household cleaner of soap and water.
- B) Painting is not required. The color of the Tempco Window is solid through all window components.
- C) Lubrication is not required. All moving parts are self lubricating. Rollers are made of metal for long lasting, trouble-free performance.

Cleaning: Slider

Before starting, please refer to Step 2A.

- A) To remove sashes for cleaning: Disengage lock (A) and slide Operative Sash to the center of the window. To remove the Inoperative Sash, it is necessary to remove the Flanker Stops (D) then slide the sash to the center of the window.



3

- B) With two hands, push the inside sash up into the frame and pull out at the bottom. The sash can now be removed from the frame completely for cleaning. The same process is repeated for the outside sash. NOTE: THE SLIDING WINDOW SASHES ARE REMOVABLE: THEY DO NOT PIVOT IN ANY WAY.

When cleaning is complete, replace sashes, beginning with the outside sash, by inserting the TOP of the sash into the top of the frame as far as possible. This will allow for enough clearance to insert the bottom of the sash into the frame. When in position, push the sash down into the lower frame to complete the process. NOTE: CHECK POSITION OF WEATHER STRIPS AND LOCKS TO ASSURE PROPER PERFORMANCE AND OPERATION OF WINDOW. NEVER USE EXCESSIVE FORCE WHEN OPERATING ANY PART OF THE TEMPCO VINYL WINDOW.

