



# Storm Doors

## PRE-HUNG INSTALLATION INSTRUCTIONS

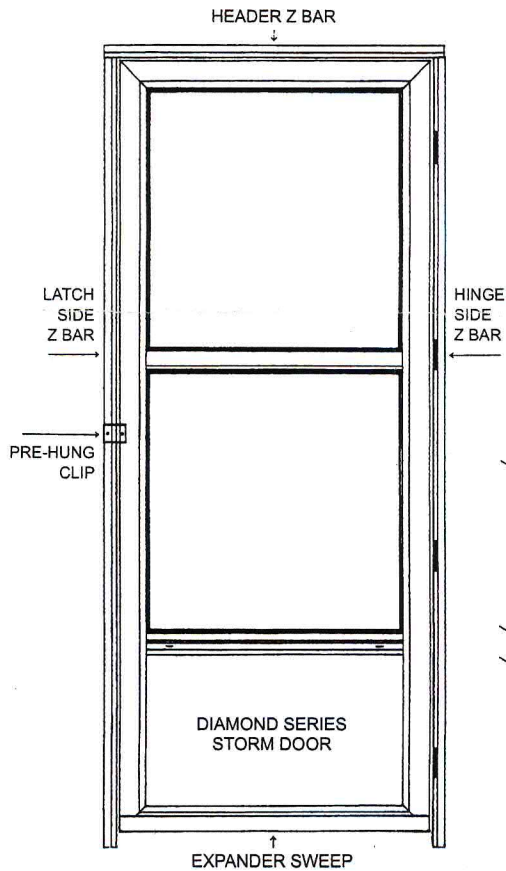


Figure 1

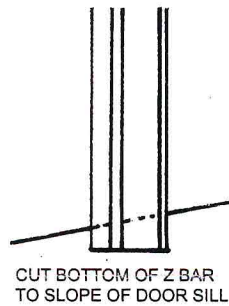


Figure 2

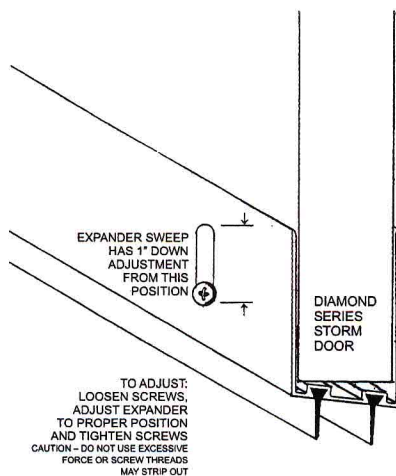


Figure 3

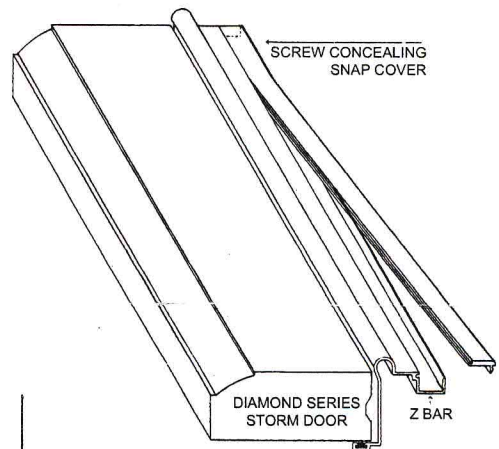


Figure 4

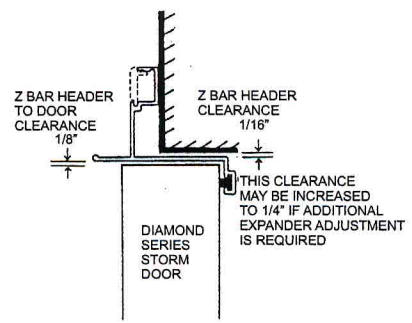


Figure 5

1. Remove Banding and Cardboard from around the Diamond Series Storm Door. (Fig. 1)
2. Measure Jamb Mounting Surface and cut bottom of Z Bars to Correct Length and to slope of Exterior Door Threshold. (Fig.2)
3. Install Vinyl Sweeps into Grooves in the Bottom of the Door Expander. Pinch the end of the Expander Sweep Grooves with pliers to prevent the Vinyl Sweeps from pulling out. Cut off the excess Vinyl Sweeps with a scissor or knife. (Fig. 3)
4. Place Door Assembly into opening and allow 1/16" clearance between Header Z Bar and Exterior Door Frame. (Fig. 5) Hinge side Z Bar should be tight against Jamb Mounting Surface. Fasten Hinge Side Z Bar with a screw at top and bottom, then check with a level to make sure Hinge Side Z Bar runs straight up and down. Install remaining screws.
5. Install screws in Header Z Bar and then Latch Side Z Bar. Allow a minimum of 1/16" operating clearance between Door and Z Bar. More or less
6. Remove PRE-HUNG Clip (Located over pre-drilled Latch holes) and open Door to check for fit.
7. Install Flat-Head Screws through Z Bar and Hinges into Frame Jamb. It may be necessary to Shim between Z Bar Hinge and Door Jamb if Z Bar Wool Pile Strip is pulled away from back of Door when Hinge Screws are tightened
8. Install Closer per installation instructions provided in Hardware Kit.
9. Install Handle per installation instructions provided in Handle Kit.
10. Adjust Bottom Expander to fit against Exterior Door Threshold.
11. Install Screw Concealing Snap Cover on Z Bars. Begin by cutting Hinge Side and Latch Side Snap Cover to length. Starting at the top end, place edge of Snap Cover into Z Bar Groove and press into place. (Fig. 4)



### TEMPCO PRODUCTS CO. DIAMOND SERIES™ STORM DOOR LIMITED WARRANTY

Tempco Products Co. warrants under normal residential use the **DIAMOND SERIES™ STORM DOOR** against defects in material or workmanship for the time period as specified below. This warranty against delamination, cracking and rust are to the original consumer purchaser residing in the home in which the **DIAMOND SERIES™ STORM DOOR** was properly installed according to manufacturer's instructions.

DIAMOND SERIES™ STORM DOOR  
Hardware  
(Closure Assembly, Handle Assembly, Locksets)

20 Years  
1 Year

Tempco Products Co. will, upon written proof of purchase, without charge to the original consumer purchaser, repair or replace, at its option, the product under warranty. Repair or replacement does not include any cost of removal or installation. This warranty excludes all damage to glass and screen. It also does not apply to normal wear and tear, normal effects of sun and weather, high wind or damage caused by consumer purchaser abuse, neglect or modification. The purchaser will be responsible for transporting the product to and from the nearest **Tempco Products Co. Dealer**.

**THIS WARRANTY EXCLUDES ALL INCIDENTAL AND CONSEQUENTIAL DAMAGE.**

Some states do not allow the exclusion of incidental and consequential damage, so the above may not apply to you. This warranty gives you specific legal rights, and you may also have other rights which vary from state to state.

**THERE ARE NO WARRANTIES WHICH EXTEND BEYOND THE DESCRIPTION ON THE FACE HEREOF.**

## UNIVERSAL HINGE INSTALLATION INSTRUCTIONS

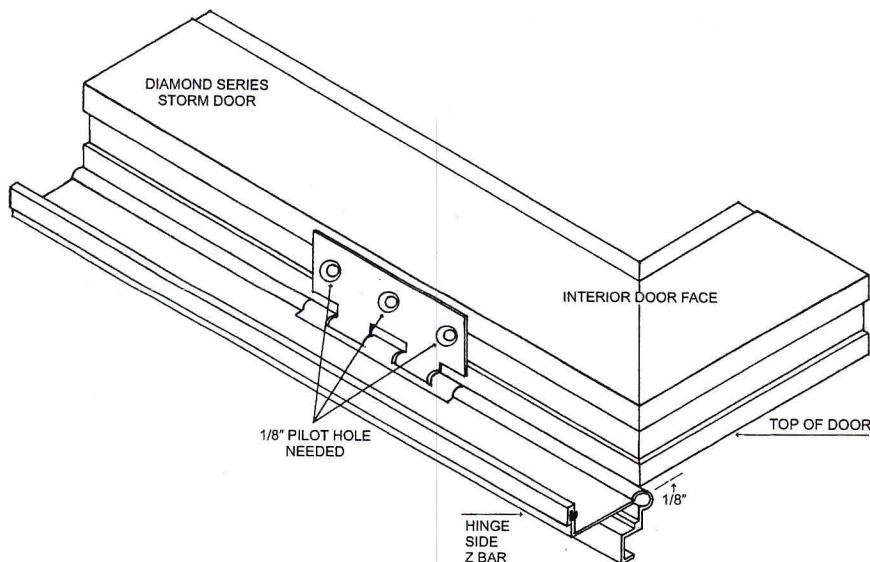


Figure 6

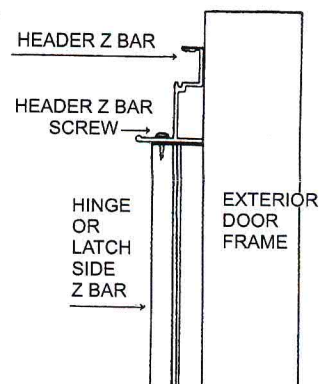


Figure 7

1. Remove Banding and Cardboard from around the Diamond Series Storm Door. (Fig. 1)
2. Place Diamond Series Storm Door on work surface with exterior side down.
3. Determine the hinge side of the door. Then cut Hinge Side Z Bar 1/8" less than the length of and to the Slope of Exterior Door Threshold. (Fig. 2)
4. Position Hinge Side Z Bar 1/8" past the top of the door. Drill 1/8" pilot holes through hinge into door frame. Attach hinge with three #10 X 1/2 Screws. Repeat for each hinge. (Fig. 6)
5. Install Vinyl Sweeps into Grooves in the Bottom of the Door Expander. Pinch the end of the Expander Sweep Grooves with pliers to prevent the Vinyl Sweeps from pulling out. Cut off the excess Vinyl Sweeps with a scissor or knife. (Fig. 3)
6. Place Door and Hinge Side Z Bar into Exterior Door opening. Hinge Side Z Bar should be tight against jamb Mounting Surface with an 1/8" gap at the head. (Fig. 5) Fasten Hinge Side Z Bar with a screw at top and bottom, then check with a level to make sure Hinge Side Z Bar runs straight up and down. Install remaining screws
7. Place Header Z Bar into opening on top of Hinge Side Z Bar. Install Header Z Bar Screw in Hinge Side Z Bar and tighten. (Fig. 7) Fasten Header Z Bar to Exterior Door opening with a screw at each end then check for level. Install remaining screws.
8. Cut Latch Side Z Bar 1/8" less than the length of and to the Slope of Exterior Door Threshold. (Fig. 2) Place Latch Side Z Bar into Exterior Door opening. Install Header Z Bar Screw into Latch Side Z Bar and tighten. (Fig. 7) Fasten Latch Side Z Bar with a screw at top and bottom, then check with a level to make sure Latch Side Z Bar runs straight up and down. Install remaining screws
9. Allow a minimum of 1/16" operating clearance between Door and Z Bar. More or less Door Clearance can be attained by moving Latch Side Z Bar towards or away from Door.
10. Install Flat-Head Screws through Z Bar and Hinges into Frame Jamb. It may be necessary to Shim between Z Bar Hinge and Door Jamb if Z Bar Wool Pile Strip is pulled away from back of Door when Hinge Screws are tightened
11. Install Closer per installation instructions provided in Hardware Kit.
12. Install Handle per installation instructions provided in Handle Kit.
13. Adjust Bottom Expander to fit against Exterior Door Threshold.
14. Install Screw Concealing Snap Cover on Z Bars. Begin by cutting Hinge Side and Latch Side Snap Cover to length. Starting at the top end, place edge of Snap Cover into Z Bar Groove and press into place. (Fig. 4)

## FRENCH DOOR INSTALLATION INSTRUCTIONS

1. Remove Banding and Cardboard from around the Diamond Series Storm Door. (Fig. 1)
2. Determine Inoperative Door and cut Hinge Side Z Bar 1/8" less than the length of and to the slope of Exterior Door Threshold. (Fig. 2)
3. Repeat for the Operative Door.
4. Cut bottom of Astragal to the Slope of Exterior Door Threshold. (Fig. 8) Cut overall length of Astragal 7/16" less than the length of the Inoperative Door. (Fig. 9)
5. Attach Astragal to Inoperative Door with provided screws. Attach Head and Foot Bolt to Astragal with provided Screws. (Figs. 8 & 9)
6. Follow instructions #5 through #7, from the Universal Hinge Installation Instructions and install Inoperative Door and then Operative Door.
7. Ignore instructions #8 & #9.
8. Follow instruction #10.
9. Locate and Drill Head & Foot Bolt Hole. Attach Head & Foot Bolt Bracket.
10. Follow instruction # 11.
11. Follow instruction #12 with one change. Drill the handle bolt holes 7/8" from the inside edge of the Astragal.
12. Follow instructions #13 & #14 to complete installation of the French Doors.

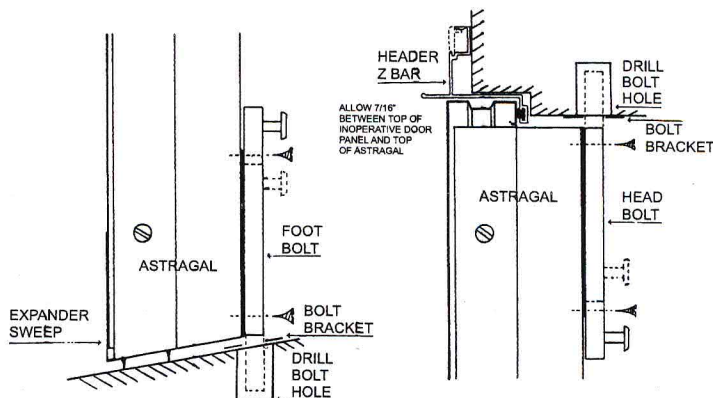


Figure 8

Figure 9